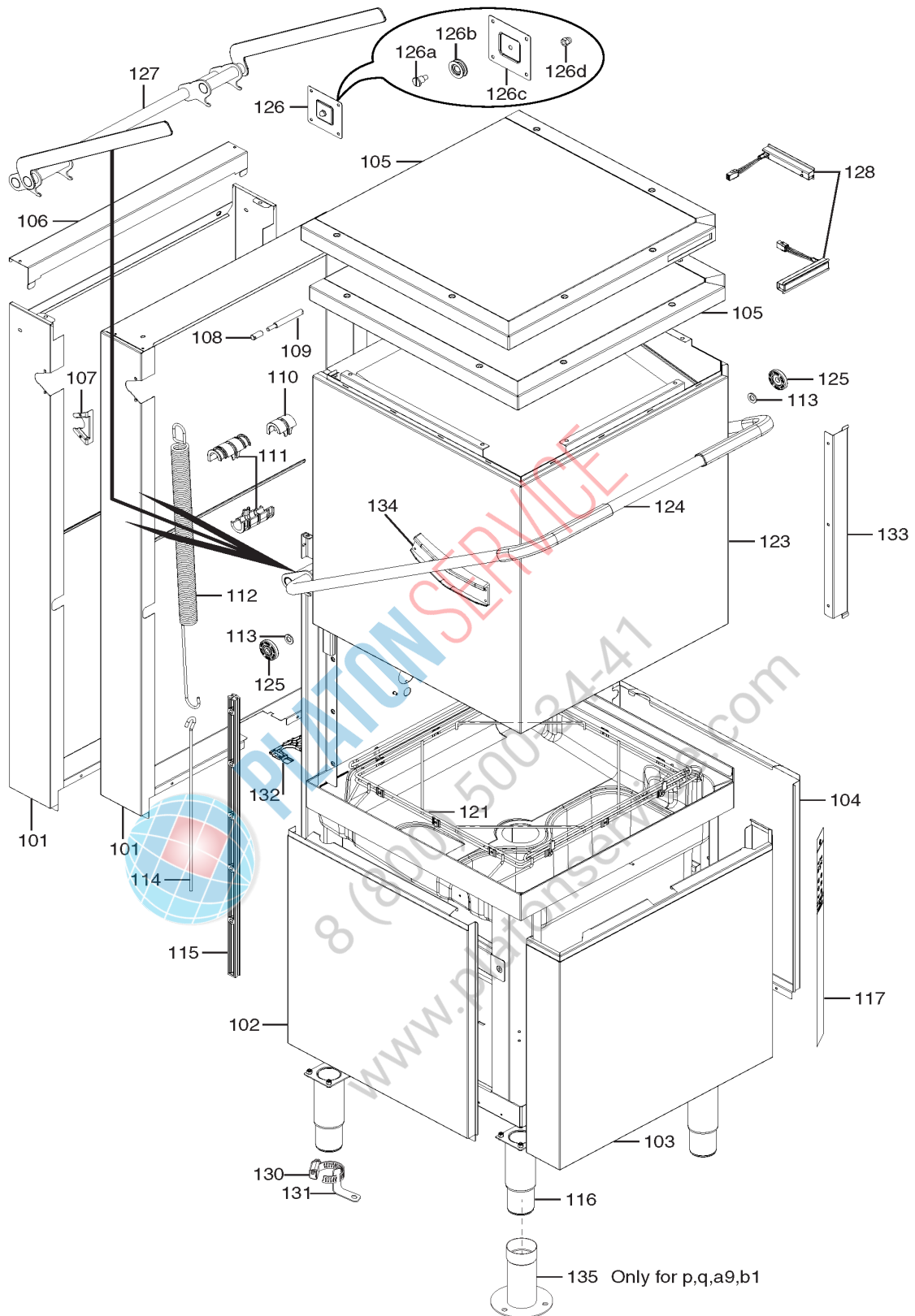


**LAVASTOVIGLIE CAPPOTTINA  
 HOOD TYPE DISHWASHER**
**NHT8/ KHT8/ EHT8/ ZHT8I/ AHT8I/ EHT8I/ ZHT8TI/ EHT8TI**

Code	Type	Ref.	Pagina/ Page	Code	Type	Ref.	Pagina/ Page
505070	NHT8G	a	2 3 4 5	504256	EHT8ILG	a1	2 3 4 5
505071	NHT8	b	2 3 4 5	504257	EHT8IWSG	a2	2 3 4 5
505072	NHT8WSG	c	2 3 4 5	504258	EHT8IG	a3	2 3 4 5
505066	NHT8ROW	d	2 3 4 5	504259	EHT8I	a4	2 3 4 5
505067	NHT8O	e	2 3 4 5	504260	EHT8IROW	a5	2 3 4 5
505068	NHT8ROW6	f	2 3 4 5	504261	EHT8IROW6	a6	2 3 4 5
505069	NHT8O6	g	2 3 4 5	504262	EHT8ILG4	a7	2 3 4 5
505083	NHT8GUK	h	2 3 4 5	504263	EHT8ILG8	a8	2 3 4 5
505084	NHT8DD	i	2 3 4 5	504264	EHT8IUSPH5	a9	2 3 4 5
505073	EHT8ROW	j	2 3 4 5	504265	EHT8IUSPH6	b1	2 3 4 5
505074	EHT8O	k	2 3 4 5	504267	EHT8IS	e2	2 3 4 5
505075	EHT8ROW6	l	2 3 4 5	504268	EHT8IELGJ	d9	2 3 4 5 7
505076	EHT8O6	m	2 3 4 5	504269	EHT8IELGJ6	e1	2 3 4 5 7
505077	EHT8J	n	2 3 4 5	504272	ZHT8IELG	b2	2 3 4 5 7
505078	EHT8J6	o	2 3 4 5	504273	ZHT8ILG	b3	2 3 4 5
505079	EHT8M	p	2 3 4 5	504274	ZHT8IWSG	b4	2 3 4 5
505080	EHT8M6	q	2 3 4 5	504275	ZHT8IG	b5	2 3 4 5
505081	KHT8	r	2 3 4 5	504276	ZHT8I	b6	2 3 4 5
505085	NHT8WSGUK	d2	2 3 4 5	504277	ZHT8IROW	b7	2 3 4 5
505086	NHT8LGUK	d3	2 3 4 5	504278	ZHT8IROW6	b8	2 3 4 5
505089	NHT8P	d4	2 3 4 5	504279	EHT8IELG4	c9	2 3 4 5 7
505090	HHT8	d5	2 3 4 5	504280	EHT8IELG8	d1	2 3 4 5 7
506069	NHTGRUK	d7	2 3 4 5	504283	NHT8ILG	c3	2 3 4 5
506070	NHT8LGRUK	d8	2 3 4 5	504284	NHT8IWSG	c4	2 3 4 5
504250	EHT8TIEL	s	2 3 4 5 6 7	504285	NHT8IG	c5	2 3 4 5
504251	EHT8TIL	t	2 3 4 5 6	504286	NHT8IELG	c6	2 3 4 5 7
504252	EHT8TIELG4	u	2 3 4 5 6 7	504287	NHT8IEWSG	c7	2 3 4 5 7
504253	EHT8TIELG8	v	2 3 4 5 6 7	504288	EHT8IELG6	c8	2 3 4 5 7
504270	ZHT8TIEL	w	2 3 4 5 6 7	504290	HHTI	d6	2 3 4 5
504271	ZHT8TIL	x	2 3 4 5 6	698066	AHT8IWSG	b9	2 3 4 5
504254	EHT8IELG	y	2 3 4 5 7	698067	AHT8IG	c1	2 3 4 5
504255	EHT8IEWSG	z	2 3 4 5 7	698068	AHT8I	c2	2 3 4 5
<b>Pagina/ Page</b>	<b>Indice/ index</b>			<b>Pagina/ Page</b>	<b>Indice/ index</b>		
2	Vista generale / Main view			6	Componenti versione automatica / Automatic version components		
3	Componenti idraulici / Hydraulic components			7	Componenti ESD / ESD components		
4	Circuito idraulico/ Hydraulic circuit			8 - 17	Lista ricambi / Spare parts list		
5	Componenti elettrici / Electrical components						

**Marchio/ Brand: Z - E - A**  
**Paese/ Country: Tutti/ All**

Da Ser.Nr./From Ser.nr.: 305	Ed.2015-01	<b>Doc. Nr.: 595668W00</b>
Page: 1		



ill. 595668W00\_p1  
 Vista generale / Main view

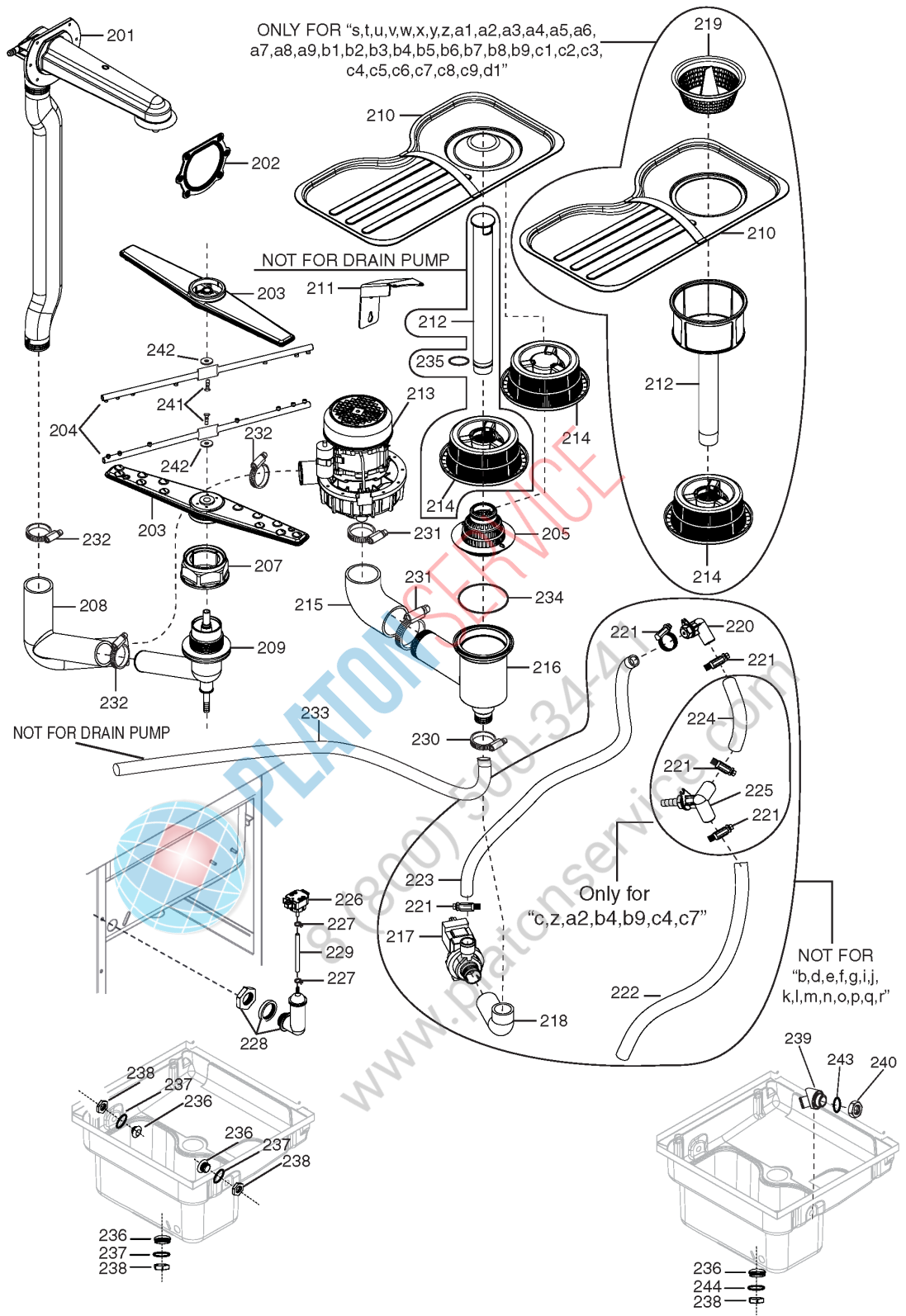
Da Ser.Nr./From Ser.nr.: 305

Page: 2

Ed.2013-09

Doc. Nr.: 595668W00

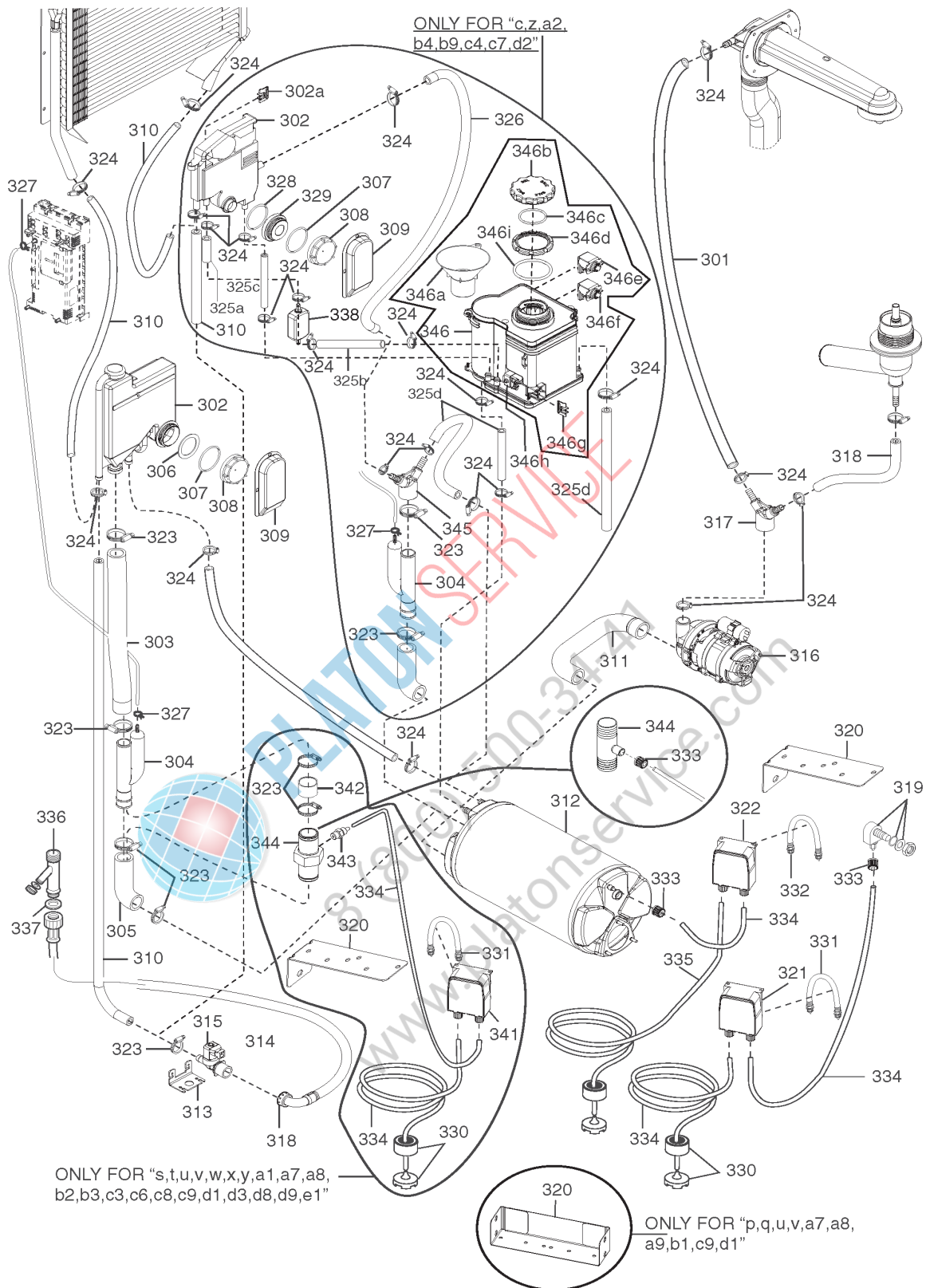
??????	505071								
??????	595668W00	???????? 2					Main view		
.		Alias		S			.		(Euro)
0101	0L2780						BACK PANEL	a1,a2,a3,a4a5,a6,a7, a8,b3,b4,b5,b6,b7,b8,d, e,f,g,a,b,c,j,k,l,m,n,o,p,q,r ,h,i,b9,c1,c2,c5,c4,c3,d2, d3,d4,d5,d6,d7,d8	147,20
0102	0L2782				D		LEFT SIDE PANEL		96,43
0103	0L2783						PANEL		132,00
0104	0L2784				D		RIGHT SIDE PANEL		97,44
0107	0L2790		0L2983				BACK PANEL PROTECTION		
0108	0L2791						LOCK PIN		9,65
0109	0L2792						PIVOT		12,51
0110	0L2793						SPRING BUSHING		1,91
0111	0L2794			S			SPRING BUSHING		2,11
0112	049582			S			SPRING		34,71
0112	049947						SPRING		48,92
0113	0TH042						WASHER; 13X24		1,02
0114	0L2796						SPRING STRETCHER	a,b,c,d,e,f,g,h,i,j,k,l,m,n, o,p,q,r,d2,d3,d4,d5,d7,d8	12,63
0115	0L2798			S			HOOD GUIDE		29,23
0116	048579			S	C		COMPLETE FOOT; H=153MM	Up to Ser. Nr.: 409	16,66
0116	0L3203						FOOT; WITH FLANGE	From to Ser. Nr.: 410	14,46
0117	0L2803			S			ADHESIVE MEMBRANE	d,e,f,g,a,b,c,h,i,d2,d3,d4, d7,d8	25,17
0121	0L2807			S			BASKET GUIDE		109,60
0123	0L2810						HOOD	a,b,c,d,e,f,g,h,i,j,k,l,m,n, o,p,q,r,d2,d3,d4,d5,d7,d8	554,00
0124	0L2967						HANDLE; MEDIUM	a,b,c,d,e,f,g,h,i,j,k,l,m,n,o ,p,q,r,b2,b3,b4,b5,b6,b7, b8,b9,c1,c2,c3,c4,c5,c6, c7,d2,d3,d4,d5,d6,d7,d8	135,00
0125	049598			S			ROLLER; FOR HOOD HANDLE		2,32
0127	0L2817						HOOD RAIL ARM		138,00
0128	0L3451						KIT LEDBAR		274,10
0130	0L2463						CLAMP; DIA.50-70; INOX		5,60
0131	0L2464						BRACKET		6,22
0132	0L0112						COVERING		4,12
0134	049597			S			RUNNER; FOR HANDLE	a,b,c,d,e,f,g,h,i,j,k,l,m,n,o,p,q,r ,d2,d3,d4,d5,d7,d8,y,z,a1,a2,a 3,a4,a5,a6,a7,a8,a9,b1,e2,d9, e1,b2,b3,b4,b5,b6,b7,b8,c9,d 1,c3,c4,c5,c6,c7,c8,d6,b9,c1, c2	7,60
126a	0L2813						WHEEL PIN		19,08
126d	0L2816						CAP NUT; M8		1,02



iii. 595668W00\_p2  
Componenti idraulici / Hydraulic components

Da Ser.Nr./From Ser.nr.: 305	Page: 3	Ed.2014-12	Doc. Nr.: 595668W00
------------------------------	---------	------------	---------------------

??????	505071								
??????	595668W00	???????? 3					Hydraulic components		
.		Alias		S			.		(Euro)
0022	000000								
0201	0L3470						WASH ARM SUPPORT		62,83
0202	0L2822			S			GASKET		6,22
0203	0L2823			S			WASH ARM		45,47
0204	0L2095			S			RINSE ARMS		61,92
0205	0L2824			S			PROTECTION FILTER		
0207	048330			S			RING NUT		5,29
0208	0L2825			S			SLEEVE; 3 VIE		34,10
0209	048235			S			SUPPORT F. LOWER JETS		40,90
0210	0L2826						TANK FILTER	a,b,c,d,e,f,g,h,i,j,k,l,m,n,o,p,q,r,d2,d3,d4,d5,d7,d8	103,50
0211	0L2828		0L3523		D		PUMP SUPPORT		
0212	0L2829			S			OWERFLOW PIPE	b,d,e,f,g,i,j,k,l,m,n,o,p,q,r,d4,d5	14,68
0213	0L2831			S			PUMP; 230V 50HZ 0,8KW	a,b,c,d,e,h,i,j,k,n,o,p,q,r,d2,d3,d4,d5,d7,d8,s,t,w,x,y,z,a1,a2,a3,a4,a5,a9,b1,e2,d9,b2,b3,b4,b5,b6,b7,c9,d1,c3,c4,c5,c6,c7,d6,b9,c1,c2	238,50
0214	0L2834			S			PUMP SUCTION FILTER	b,d,e,f,g,i,j,k,l,m,n,o,p,q,r,d4,d5,s,t,u,v,w,x,y,z,a1,a2,a3,a4,a5,a6,a7,a8,a9,b1,e2,d9,e1,b2,b3,b4,b5,b6,b7,b8,c9,d1,c3,c4,c5,c6,c7,c8,d6,b9,c1,c2	12,67
0215	0L2836						SUCTION PIPE SLEEVE		16,79
0216	0L2837			S			SUCTION PIPE MANIFOLD		16,57
0226	0L2845			S			ANALOGIC SENSOR		17,73
0227	0L0082			S			CLAMP; DIA. 7,3-7,8MM		1,02
0228	0L2846			S			AIR TRAP		22,23
0229	072393			S			HOSE; Ø=4X7,4MM; L=500CM; PRESSURE SWITC	30 mm	11,67
0230	046878			S			HOSE CLAMP; 35-50/9		1,91
0231	046853			S			HOSE CLAMP; 60-80/9		2,53
0232	046855			S			HOSE CLAMP; 50-70/9		2,00
0233	049856			S	C		DRAIN PIPE; L=1600MM.	b,d,e,f,g,i,j,k,l,m,n,o,p,q,r,s,t,w,x,a4,a5,a6,a9,b1,b6,b7,b8,c2,d4,d5,d6,e2	11,50
0234	049894			S			O-RING; ØI=110X4 MM		2,01
0235	0L2359			S			O-RING; ØI=32,99X2,62 MM	b,d,e,f,g,i,j,k,l,m,n,o,p,q,r,d4,d5	2,65
0241	048290			S			PIN; L=43MM; FOR RINSE ARMS		16,79
0242	048632			S			LOCK WASHER		9,50



iii. 595668W00\_p3  
 Circuito idraulico/ Hydraulic circuit

Da Ser.Nr./From Ser.nr.: 305	Page: 4	Ed.2015-01	Doc. Nr.: 595668W00
------------------------------	---------	------------	---------------------



??????	505071								
??????	595668W00	???????? 4	Hydraulic circuit						
.	Alias		S			.			(Euro)
0301	048531		S				RUBBER HOSE; ØI=12MM;ØE=19,5MM;BY METER	1310 mm	9,55
0302	049481	0L2435					AIR GAP; WRC	a,b,d,e,f,g,h,i,j,k,l,m,n,o,p,q,r,d 3,d4,d5,d7,d8,s,t,u,v,w,x,y,a1, a3,a4,a5,a6,a7,a8,a9,b1,e2,d 9,e1,b2,b3,b5,b6,b7,b8,c9,d1, c3,c5,c6,c8,d6,c1,c2	
0303	049287		S				HOSE; ØE=30MM; ØI=25MM; L=430MM	410 mm	10,39
0304	0L2849						AIR TRAP		14,15
0305	049880		S				SLEEVE	a,b,d,e,f,g,h,i,j,k,l,m,n,o,p,q,r,d 3,d4,d5,d7,d8,s,t,u,v,w,x,y,a1, a3,a4,a5,a6,a7,a8,a9,b1,e2,d 9,e1,b2,b3,b5,b6,b7,b8,c9,d1, c3,c5,c6,c8,d6,c1,c2	13,30
0306	049828		S				O-RING; ØI=50MM; ØE=59,5MM		1,62
0307	049460		S				O-RING; ØI=53,65MM; ØE=58,89MM		1,02
0308	049480		S				RING NUT; FOR AIR GAP		2,53
0309	0L2560		S				PROTECTION		13,30
0310	0L3064						HOSE; L=1400MM; 12X19,5MM	1400 mm	23,45
0311	0L2852						PUMP SUCTION PIPE		13,30
0312	0L2853		S				BOILER; ONE HOLE	a,b,h,i,n,o,p,q,r,s,t,w,x,y,a1,a3 ,a4,a9,b1,b2,b3,b5,b6,c1,c2,c 6,c3,c8,c9,d1,d3,d4,d5,d6,d7, d8,d9,e1,e2	234,50
0313	0TH116			D			SUPPORT; FOR SOLENOID VALVE		10,77
0314	000000								
0315	0L0776		S				SOLENOID VALVE; 220/240V 50/60HZ; 5L/MIN	a,b,c,d,e,f,g,h,i,j,k,l,m,p,q,r,d2, d3,d4,d5,d7,d8,s,t,w,x,y,z,a1, a2,a3,a4,a5,a6,a9,b1,e2,d9,e 1,b2,b3,b4,b5,b6,b7,b8,c9,d1, c3,c4,c5,c6,c7,c8,d6,b9,c1,c2	
0316	0L1079	0L1640	S		+		PUMP; 220/240 50HZ	a,b,c,d,e,j,k,i,h,r,s,t,w,x,y,z,a1, a2,a3,a4,a5,b2,b3,b4,b5,b6,b 7,b9,c1,c2,c6,c7,c5,c4,c3,d2, d3,d4,d5,d6,d7,d8,d9,e2 - From to Ser.Nr: 4481	
0316	0L2858		S				RINSE PUMP; 230V 50HZ	a,b,c,d,e,j,k,i,h,r,s,t,w,x,y,z,a1, a2,a3,a4,a5,b2,b3,b4,b5,b6,b 7,b9,c1,c2,c6,c7,c5,c4,c3,d2, d3,d4,d5,d6,d7,d8,d9,e2 - Up to Ser.Nr: 4471	130,90
0317	0L2865	0L3080					Y-FITTING		
0318	0L1887		S	C			FEEDING HOSE; 2000MM	320 mm	14,49
0320	0L2866						SUPPORT		5,47
0322	0S1713				C		PERISTALTIC PUMP RINSE AID; PG 0,4	a,b,c,h,i,p,q,r,d2,d3,d4,d5,d7, d8,s,t,u,v,w,x,y,z,a1,a2,a3,a4, a7,a8,a9,b1,e2,d9,e1,b2,b3,b 4,b5,b6,c9,d1,c3,c4,c5,c6,c7, c8,d6,b9,c1	
0323	047578		S				CLAMP; 26-38		1,80
0324	048126		S				CLIP; 13-20		1,58
0326	0L3060	048531					HOSE; L=880MM; 12X19,5MM	880 mm	
0327	0L0082		S				CLAMP; DIA. 7,3-7,8MM		1,02
0328	0L1277		S				O-RING; 26,58X2,53		1,02

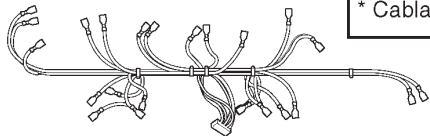
??????	505071								
??????	595668W00	???????? 4	Hydraulic circuit						
.		Alias		S			.		(Euro)
0329	0L2867							RING NUT	24,97
0330	0S1028			S				INOX WEIGHT WITH FILTER; KIT	12,61
0331	049419			S	C			DETERGENT DISPENSER HOSE; WITH JOINTS	14,18
0332	049418			S	C			RINSE AID DISPENSER HOSE	14,18
0333	0L2071			S				RING NUT	Up to Ser.Nr. 4241 4,54
0333	0L3079							RING NUT	From to Ser.Nr. 4251 6,33
0334	0L1163			S				HOSE; ØI=4,3MM; ØE=6MM; L=2660MM; GREY	15,62
0335	0L0481			S				TUBE; L=2660 MM; ØE=6 MM; DETERG.PUMP	10,67
0336	048834			S				STRAINER	13,63
0337	049201			S				GASKET; DIA 3/4"	1,02
0345	000000								
325a	0L3062							HOSE; L=50MM; 10X17MM; BLU	50 mm 3,28
325b	0L3063							HOSE; L=440MM; 10X17MM; BLU	440 mm 8,87
325c	0L3061							HOSE; L=630MM; 10X17MM; BLU	630 mm 10,31
325d	0L3058							HOSE; L=500MM; 10X17MM; BLU	500 mm 9,60



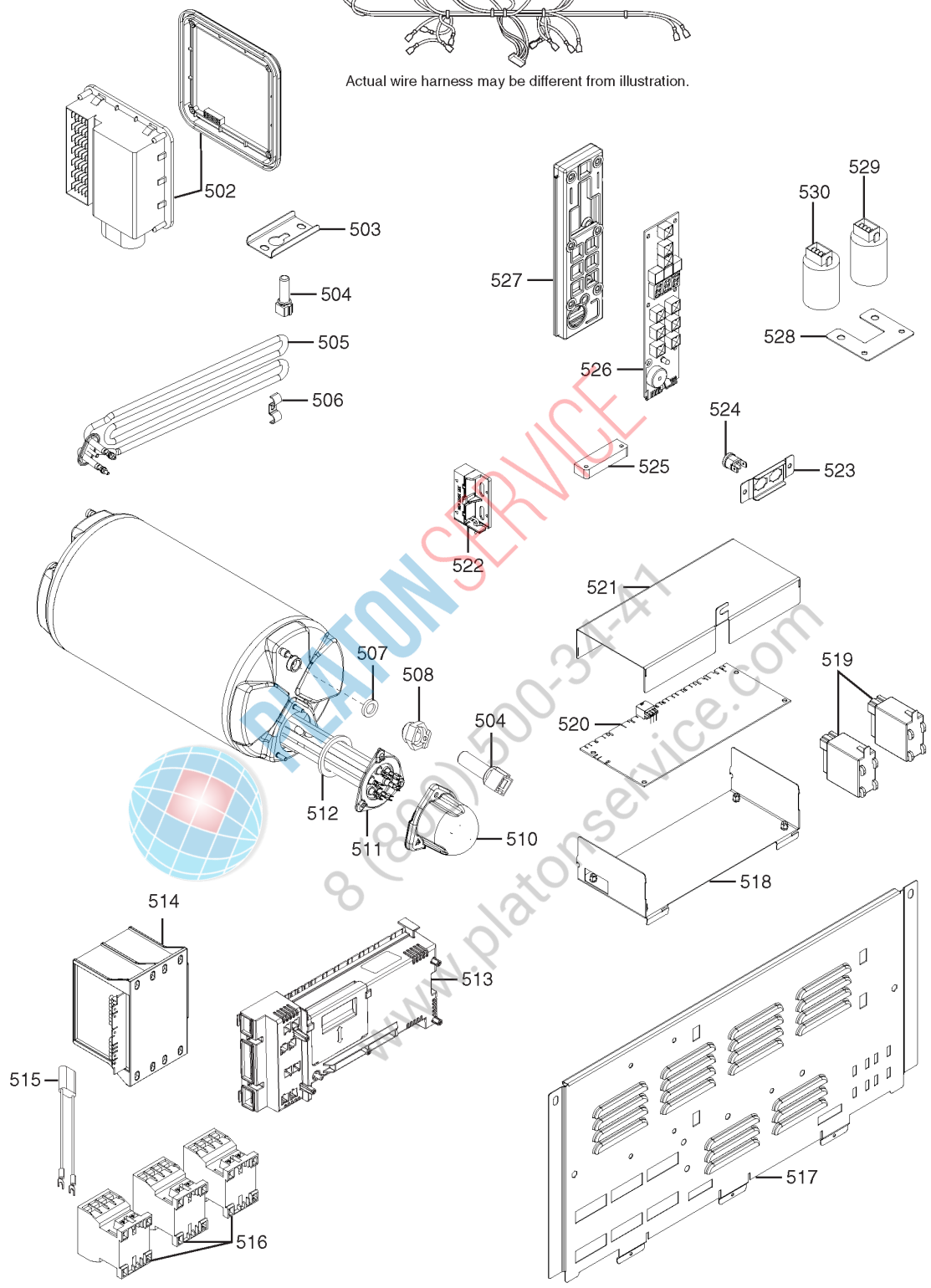
PLATON SERVICE  
8 (800) 500-34-41  
www.platonservice.com



\* Cablaggio/Wiring harness: 590



Actual wire harness may be different from illustration.



**iii. 595668W00\_p4**  
**Componenti elettrici / Electrical components**

Da Ser.Nr./From Ser.nr.: 305	Page: 5	Ed.2013-11	Doc. Nr.: 595668W00
------------------------------	---------	------------	---------------------

??????	505071								
??????	595668W00	???????? 5				Electrical components			
.		Alias		S		.			(Euro)
0502	0L0111			S		JUNCTION BOX			40,30
0503	0L0366			S		SUPPORT			3,44
0504	0L2874			S		NTC PROBE			11,55
0505	0L1974			S		HEATING ELEMENT; 230V-3000W; LS14	a,b,c,d,e,f,g,h,i,j,k,l,r,d2,d3,d4, d5,d7,d8,s,t,u,w,x,y,z,a1,a2,a 3,a4,a5,a6,e2,d9,e1,b2,b3,b4, b5,b6,b7,b8,c3,c4,c5,c6,c7,c8 d6,b9,c1,c2	39,69	
0506	048429			S		BRACKET			2,01
0507	0L2303			S		O-RING; DIA.9,25X1,78			1,02
0508	0L0280			S		STUFFING BOX			11,51
0510	0L2881					HEATING ELEMENT PROTECTING CAP			
0511	0L2653			S		HEATING ELEMENT; 230V 9000W	a,b,c,h,i,p,r,s,t,w,x,y,z,a1,a2,a 3,a4,a9,b2,b3,b4,b5,b6,b9,c1, c2,c6,c7,c5,c3,c8,d2,d3,d6,d7 d8,d9,e1,e2	79,00	
0512	0E5037			S	C	CGX200 0-46	HEATING ELEMENT GASKET;DIA.56,52XSP.5,33		1,43
0513	0L2888			S		PCB; MEC12R HT ENTRY WITHOUT HACCP	a,b,c,d,e,f,g,h,i,j,k,l,m,n,o,p,q,r d2,d3,d4,d5,d7,d8	259,80	
0516	0L0285			S	C		CONTACTOR; 220-240V 50HZ/240-264V 60HZ	a,b,c,h,i,p,r,s,t,w,x,y,z,a1,a2,a 3,a4,a9,b2,b3,b4,b5,b6,b9,c1, c2,c3,c4,c5,c6,c7,d2,d3,d4,d5 d6,d7,d8,d9,e2	28,84
0517	0L2889				D		PANEL		59,99
0518	0L2890						SUPPORT		22,53
0519	048888			S			RELAY; 220-240V 50/60HZ; 16A		33,39
0520	0L2891			S			POWER SUPPLY		260,90
0521	0L2892						POWER SUPPLY LID		23,04
0522	0L2893			S			SENSOR		19,18
0523	0L2894						BRACKET		5,37
0524	0L2895			S			SAFETY THERMOSTAT; 105°C	Qty 2 only for "p,q,a9,b1"	8,23
0525	049627			S			MAGNET		9,82
0526	0L2897			S			USER INTERFACE BOARD		130,90
0527	0L2898			S			USER INTERFACE BOARD COVERING		10,45
0528	0L2899						STIRRUP		6,47
0529	049303			S			RADIO INTERFERENCE FILTER; 250V 50/60HZ		23,55
0530	049303			S			RADIO INTERFERENCE FILTER; 250V 50/60HZ		23,55
0590	0L3134			S	D		WIRING HARNESS	a,b,h,i,n,o,r,a3,a4,b5,b6,c1,c2 c5,d4,d5,d6,d7,e2	128,90